



#### Selection and ordering data

The mounting type / mounting position must be specified when you place your order to ensure that the gearbox is supplied with the correct quantity of oil.

Please contact customer service to discuss the oil quantity if you wish to use a mounting position which is not shown here.

#### Bevel helical gearbox B, foot-mounted design, flange-mounted design, and with housing flange

##### Oil control valves:

- Size 28: These types are lubricated for life. No ventilation, oil level, or drain plugs are present.
- Size 38:  Oil inlet  Oil drain A, B position of the customer's solid/plug-in shaft

**1** ... **4** Position of the terminal box, see Chapter 8.

B: B3-00 (IM B3-00) <sup>1)</sup>

Order code: Output side A **D06**, output side B **D08**

BF, BZ: B5-01 (IM B5-01) <sup>1)</sup>

Order code: Output side A **D22**, output side B **D24**

BA, BAF, BAZ: H-01 <sup>1)</sup>

Order code: Output side A **D76**, output side B **D77**

1) Standard mounting type

B: B8-00 (IM B8-00)

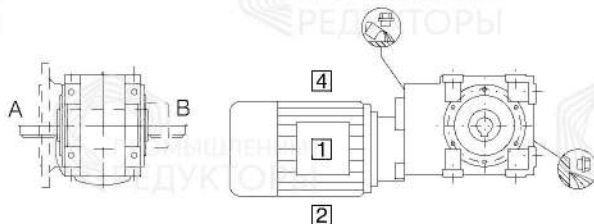
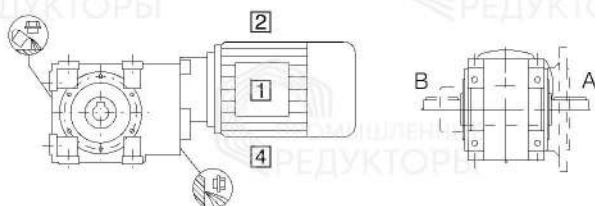
Order code: Output side A **D68**, output side B **D70**

BF, BZ: B5-03 (IM B5-03)

Order code: Output side A **D32**, output side B **D34**

BA, BAF, BAZ: H-02

Order code: Output side A **D78**, output side B **D79**



B: B6-00 (IM B6-00)

Order code: Output side A **D38**, output side B **D40**

BF, BZ: B5-00 (IM B5-00)

Order code: Output side A **D18**, output side B **D20**

BA, BAF, BAZ: H-04

Order code: Output side A **D82**, output side B **D83**

B: B7-00 (IM B7-00)

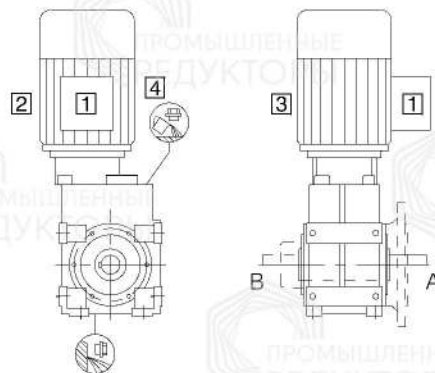
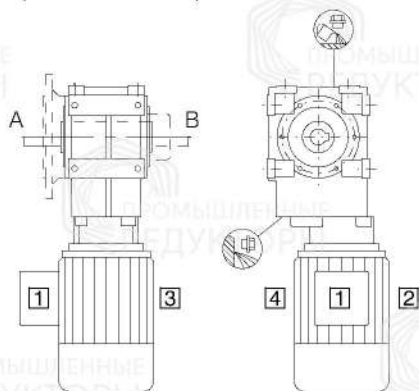
Order code: Output side A **D59**, output side B **D61**

BF, BZ: B5-02 (IM B5-02)

Order code: Output side A **D27**, output side B **D29**

BA, BAF, BAZ: H-03

Order code: Output side A **D80**, output side B **D81**



B: V5-00 (IM V5-00)

Order code: Output side A **E03**, output side B **E05**

BF, BZ: V1-00 (IM V1-00)

Order code: Output side A **D90**, output side B **D92**

BA, BAF, BAZ: H-05

Order code: Output side A **D84**, output side B **D85**

B: V6-00 (IM V6-00)

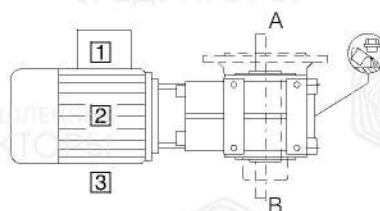
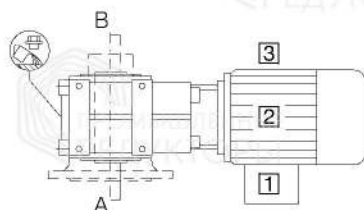
Order code: Output side A **E15**, output side B **E17**

BF, BZ: V3-00 (IM V3-00)

Order code: Output side A **D98**, output side B **E00**

BA, BAF, BAZ: H-06

Order code: Output side A **D86**, output side B **D87**



# MOTOX Geared Motors

## Bevel helical geared motors

### Mounting types and mounting positions

#### Selection and ordering data (continued)

##### Bevel helical gearbox K, foot-mounted design

###### Oil control valves:

- Size 38: V Oil inlet/oil drain
- From size 48 up:  Oil level  Ventilation  Oil drain \* On opposite side

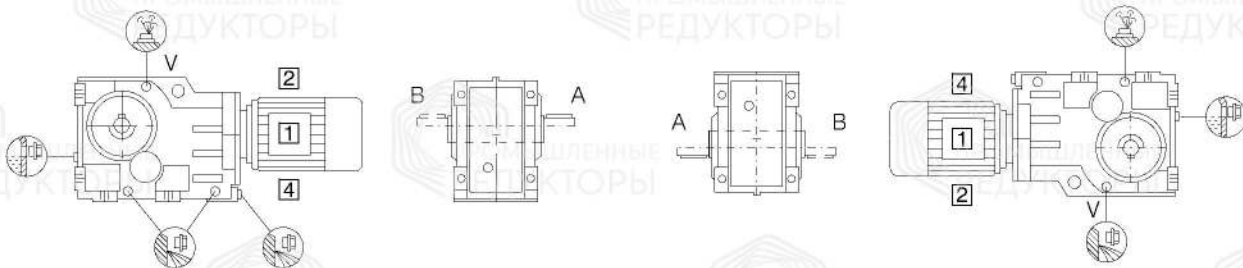
A,B position of the customer's solid/plug-in shaft

**1** ... **4** Position of the terminal box, see Chapter 8.

K: B3-00 (IM B3-00) <sup>1)</sup>  
 Order code: Output side A **D06**, output side B **D08**  
 KA: H-01 <sup>1)</sup>  
 Order code: Output side A **D76**, output side B **D77**

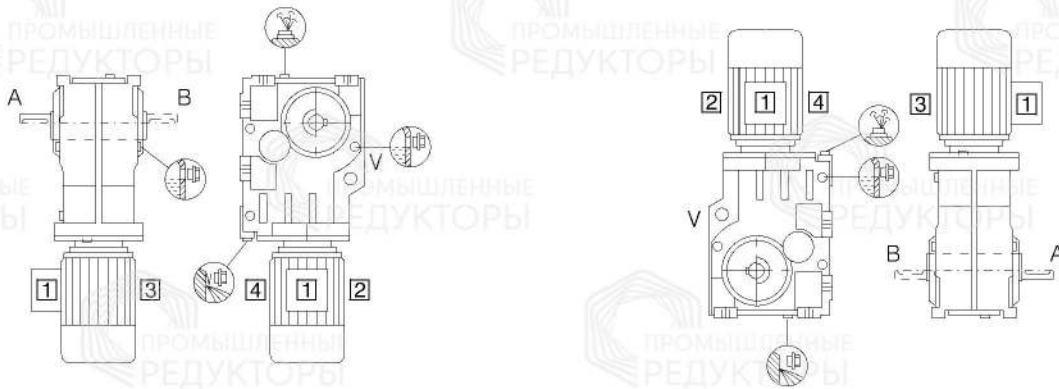
1) Standard mounting type

K: B8-00 (IM B8-00)  
 Order code: Output side A **D68**, output side B **D70**  
 KA: H-02  
 Order code: Output side A **D78**, output side B **D79**



K: B6-00 (IM B6-00)  
 Order code: Output side A **D38**, output side B **D40**  
 KA: H-04  
 Order code: Output side A **D82**, output side B **D83**

K: B7-00 (IM B7-00)  
 Order code: Output side A **D59**, output side B **D61**  
 KA: H-03  
 Order code: Output side A **D80**, output side B **D81**



K: V5-00 (IM V5-00)  
 Order code: Output side A **E03**, output side B **E05**  
 KA: H-05  
 Order code: Output side A **D84**, output side B **D85**

K: V6-00 (IM V6-00)  
 Order code: Output side A **E15**, output side B **E17**  
 KA: H-06  
 Order code: Output side A **D86**, output side B **D87**



#### Selection and ordering data (continued)

#### Bevel helical gearbox K, flange-mounted design (K.F), with housing flange (K.Z) or torque arm (K.D)

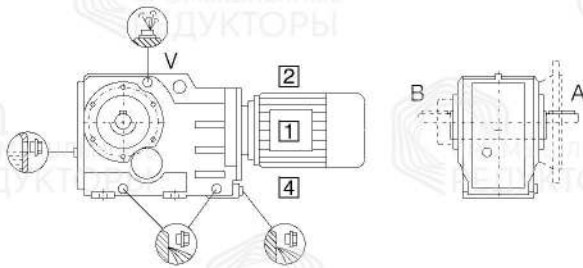
##### Oil control valves:

- Size 38: V Oil inlet/oil drain
- From size 48 up:  Oil level  Ventilation  Oil drain \* On opposite side

A,B position of the customer's solid/plug-in shaft

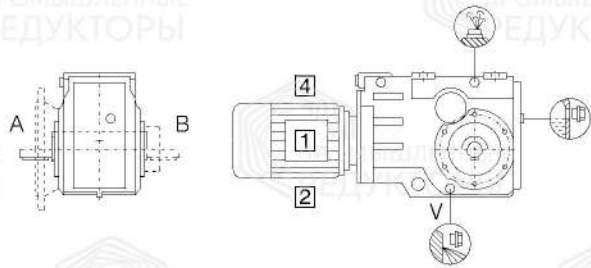
**1** ... **4** Position of the terminal box, see Chapter 8.

KF: B5-01 (IM B5-01)<sup>1)</sup>  
Order code: Output side A **D22**, output side B **D24**  
KAD, KAF, KAZ: H-01<sup>1)</sup>  
Order code: Output side A **D76**, output side B **D77**

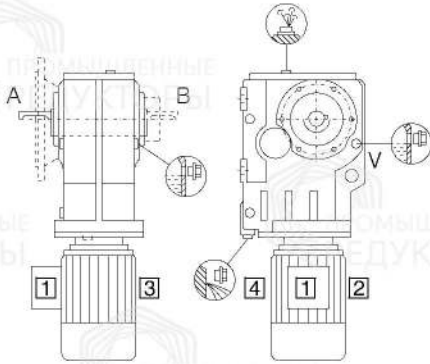


##### 1) Standard mounting type

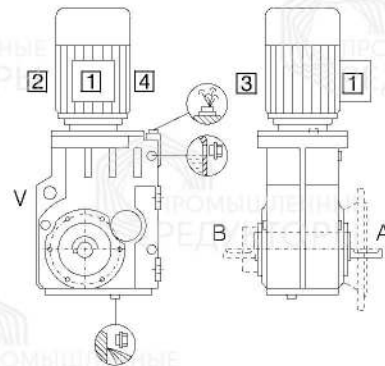
KF: B5-03 (IM B5-03)  
Order code: Output side A **D32**, output side B **D34**  
KAD, KAF, KAZ: H-02  
Order code: Output side A **D78**, output side B **D79**



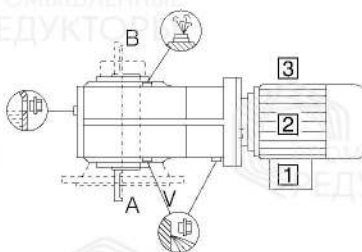
KF: B5-00 (IM B5-00)  
Order code: Output side A **D18**, output side B **D20**  
KAD, KAF, KAZ: H-04  
Order code: Output side A **D82**, output side B **D83**



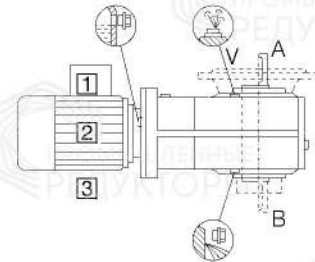
KF: B5-02 (IM B5-02)  
Order code: Output side A **D68**, output side B **D29**  
KAD, KAF, KAZ: H-03  
Order code: Output side A **D80**, output side B **D81**



KF: V1-00 (IM V1-00)  
Order code: Output side A **D90**, output side B **D92**  
KAD, KAF, KAZ: H-05  
Order code: Output side A **D84**, output side B **D85**



KF: V3-00 (IM V3-00)  
Order code: Output side A **D98**, output side B **E00**  
KAD, KAF, KAZ: H-06  
Order code: Output side A **D86**, output side B **D87**



#### Bevel helical gearbox with extruder flange (KAE)

Mounting positions correspond to those of standard gearboxes with hollow shaft.

# MOTOX Geared Motors

## Bevel helical geared motors

### Mounting types and mounting positions

#### Selection and ordering data (continued)

#### Bevel helical gearbox K with mixer flange (K.M)

##### Oil control valves:



Oil level



Ventilation



Oil drain

\* On opposite side

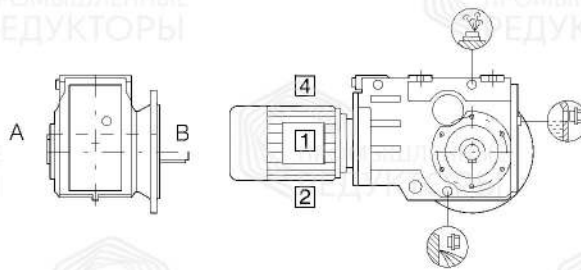
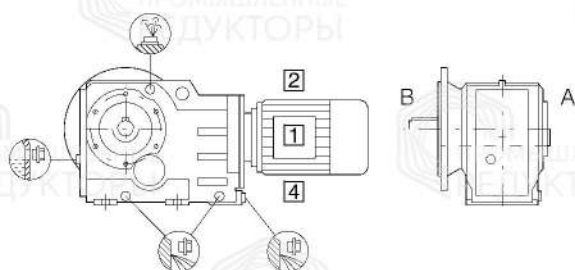
A,B position of the customer's solid/plug-in shaft

1 ... 4 Position of the terminal box, see Chapter 8.

KM: B5-01 (IM B5-01) <sup>1)</sup>  
 Order code: Output side B **D24**  
 KAM: H-01 <sup>1)</sup>  
 Order code: Output side B **D77**

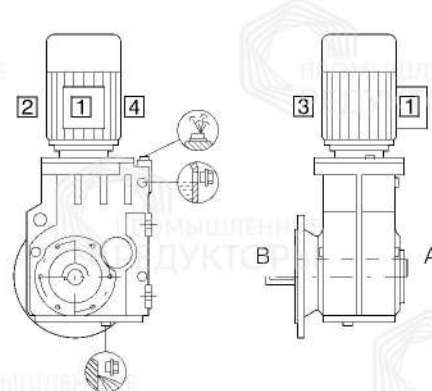
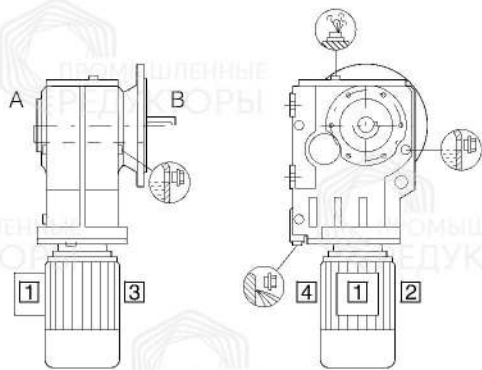
1) Standard mounting type

KM: B5-03 (IM B5-03)  
 Order code: Output side B **D34**  
 KAM: H-02  
 Order code: Output side B **D79**



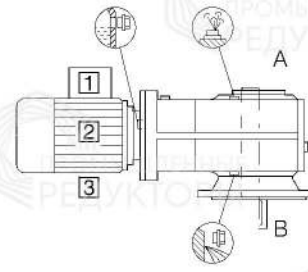
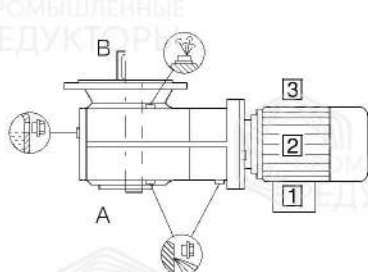
KM: B5-00 (IM B5-00)  
 Order code: Output side B **D20**  
 KAM: H-04  
 Order code: Output side B **D83**

KM: B5-02 (IM B5-02)  
 Order code: Output side B **D29**  
 KAM: H-03  
 Order code: Output side B **D81**



KM: V1-00 (IM V1-00)  
 Order code: Output side B **D92**  
 KAM: H-05  
 Order code: Output side B **D85**

KM: V3-00 (IM V3-00)  
 Order code: Output side B **E00**  
 KAM: H-06  
 Order code: Output side B **D87**



#### Selection and ordering data (continued)

##### Bevel helical tandem gearbox

The mounting type / mounting position of the tandem gearbox corresponds to that of the main gearbox. The figures below are only designed to show the position of the oil control valves of the 2nd gearbox.

##### Note:

In a horizontal operating position the bulging part of the housing of the 2nd gearbox generally faces vertically downwards.

##### Oil control valves:

- Size 28/38 (2nd gearbox): These types are lubricated for life. No ventilation, oil level, or drain plugs are present.

- From size 48 up:  Oil level  Ventilation  Oil drain \* On opposite side

② 2-stage gearbox

③ 3-stage gearbox

